

# H10J



- Alloy steel , nickel plated, plate bending beam structure, adhesive sealed, compression load.
- Ingress protection (according to EN 60529): IP67
- Suitable for on board weighing.

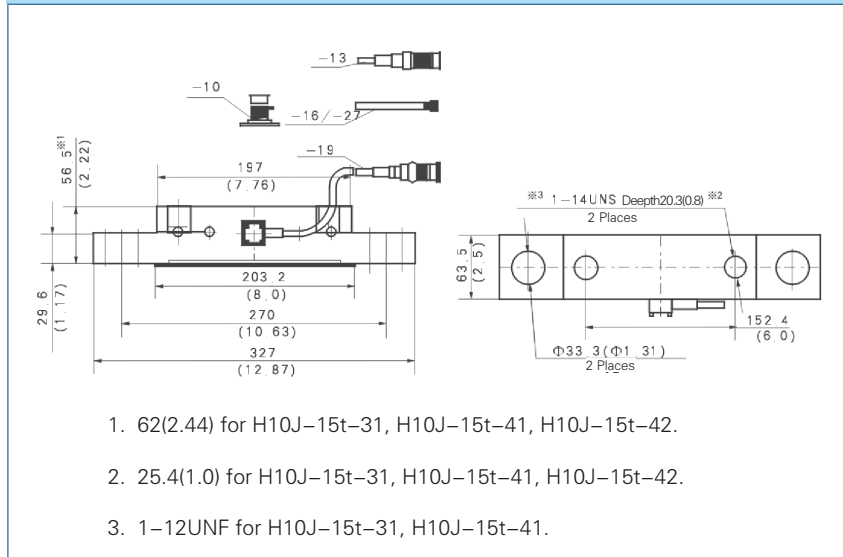
### Available models

16.5klb	H10J-16.5K-10
16.5klb	H10J-16.5K-13
16.5klb	H10J-16.5K-16
15klb	H10J-15K-19
15t	H10J-15t-30
15t	H10J-15t-31
15t	H10J-15t-40
15t	H10J-15t-41
15t	H10J-15t-42

### Specification

No. of products type		-10/-13	-16	-19	-30/-40/-42	-31/-41
Maximum capacity ( E <sub>max</sub> )		16.5klb		15klb	15t	
Output sensitivity ( = FS )	mV/V	0.5 ± 0.01 (@12.5K)	-0.5 ± 0.01 (@12.5K)	0.5291 ± 0.01 ( @13228lb )	0.50 ± 0.05 ( @6t )	0.45 ± 0.05 ( @6t )
Combined error	%FS	± 1.0				
Non-repeatability	%FS	± 0.1				
Creep (20min)	%FS	± 0.1				
Zero output	%FS	± 2.0				
Compensated temperature	°C	-10~+40				
Operating temperature	°C	-35~+65				
Input resistance	Ω	387 ± 25				
Output resistance	Ω	350 ± 3.5				
Insulation resistance	MΩ	≥ 5000				
Excitation, recommended voltage	V	5~12(DC)				
Excitation maximum	V	18(DC)				
Safe overload	of E <sub>max</sub>	120				
Ultimate overload	of E <sub>max</sub>	150				
Wiring		-10: adopt standard connector with 7 conductors. 13: adopt connector with 7 wires. Length: 1m.	4 conductor cable with square connector. Length: 10m	4 conductor cable with twin connectors. Length: 1m.	4 conductor cable for -30 and -31, cable length 10m. 4 conductor green cable for -40, -41 and -42, cable length 10m.	

### Dimensions in mm



### Wiring

